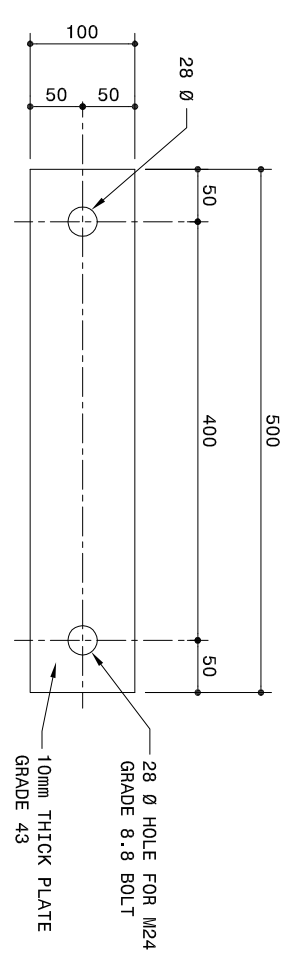
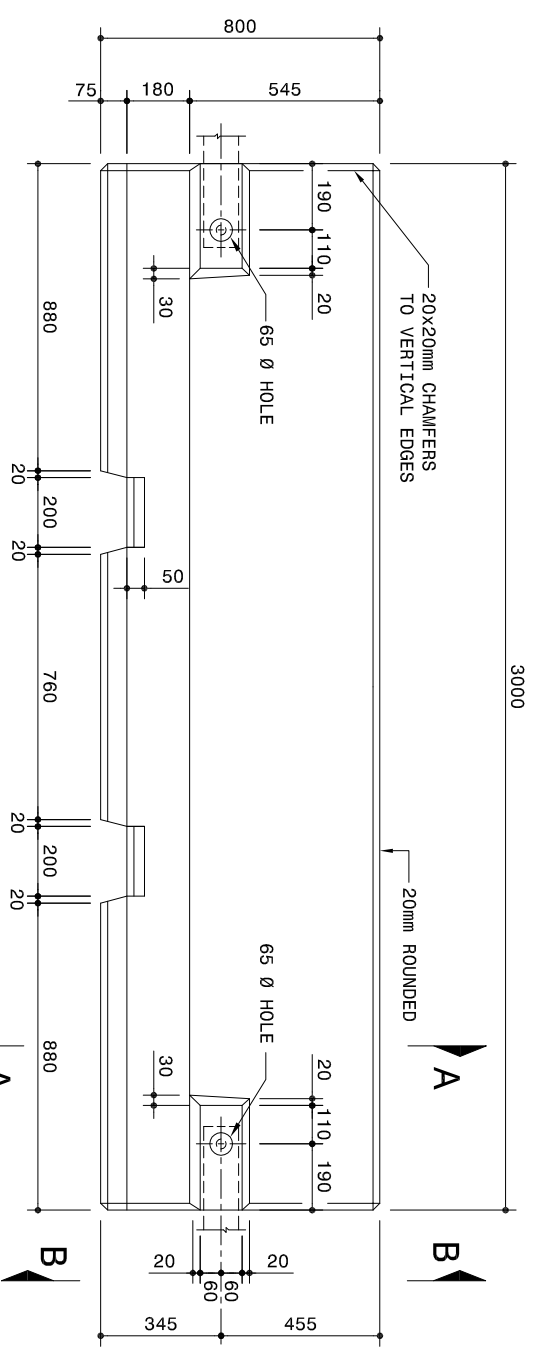


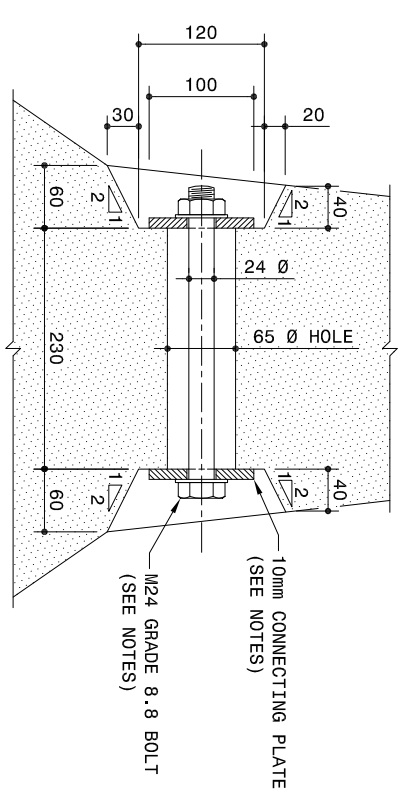
PLAN OF PRECAST BARRIER
SCALE 1:15



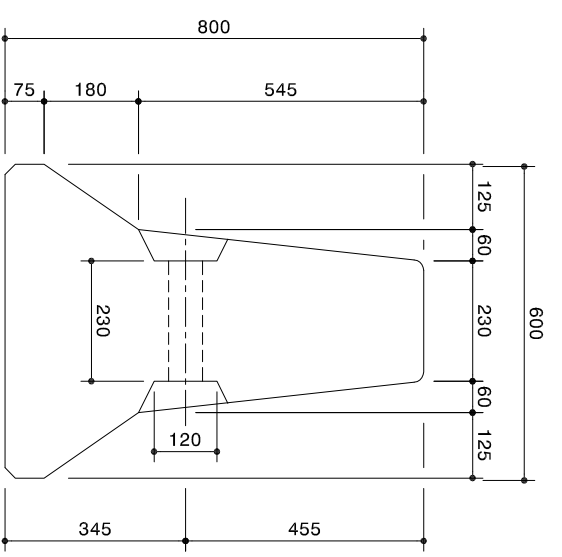
CONNECTION PLATE DETAIL
SCALE 1:5



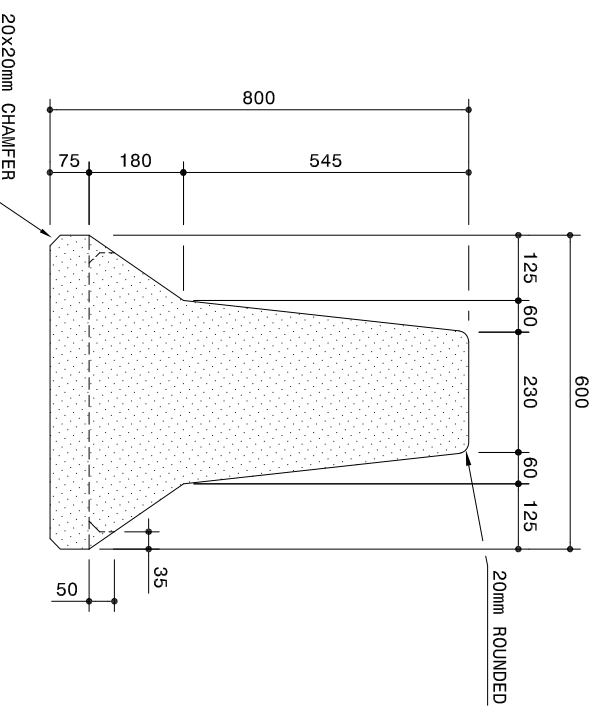
ELEVATION OF PRECAST BARRIER
SCALE 1:15



CONNECTION DETAILS
SCALE 1:5



ELEVATION B-B
SCALE 1:10



SECTION A-A
SCALE 1:10

NOTES

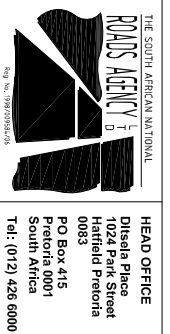
1. GENERAL
 - 1.1 THESE DETAILS ARE ONLY APPLICABLE TO TEMPORARY PLACING OF BARRIERS FOR TRAFFIC ACCOMMODATION AND SAFETY DURING CONSTRUCTION ACTIVITIES.
 - 1.2 PORTABLE PRECAST CONCRETE BARRIERS SHALL ONLY BE USED FOR TRAFFIC ACCOMMODATION WITH CONNECTION PLATES INSTALLED AS DETAILED.
 - 1.3 STRUCTURAL MILD STEEL SHALL COMPLY WITH THE REQUIREMENTS OF SANS 1431:2005 GRADE 300W.
 - 1.4 M24 FIXING BOLTS AND NUTS SHALL BE GRADE 8.8 TO SANS 1700 SFT:1996 CONNECTING PLATES & FIXING BOLTS (INCLUDING NUTS & WASHERS) SHALL BE HEAVY DUTY HOT-DIP GALVANIZED IN ACCORDANCE WITH SANS 121:2000 TO A ZINC COAT THICKNESS OF NOT LESS THAN 105 MICRONS.
 - 1.5 NUTS TO BE FULLY WRENCH TIGHTENED AT EVERY PLACING.
 - 1.6 LENGTH OF BOLTS TO BE SUCH THAT NOT MORE THAN 4 THREADS PROJECT WHEN NUTS HAVE BEEN TIGHTENED.
 - 1.7 BOLT THREADS TO BE KEPT OILED DURING PLACINGS.
 - 1.8 THE 65 Ø HOLE SHOULD NOT BE GROUTED UP.
2. MATERIAL AND FINISHES
 - 2.1 THE MATERIAL AND WORK SHALL COMPLY WITH THE RELEVANT CLAUSES OF SERIES 6000 AND 8000 OF THE STANDARD SPECIFICATIONS, THE PROJECT SPECIFICATIONS AND SHALL INCLUDE THE FOLLOWING.
 - CONCRETE CLASS (MPa/mm) : W30/19.
 - STEEL REINFORCING BARS SHALL COMPLY WITH SANS 920:1985
 - HIGH YIELD BARS : MIN YIELD STRESS 450 MPa.
 - MILD STEEL BARS : MIN YIELD STRESS 250 MPa.
 - MINIMUM CONCRETE COVER TO REINFORCEMENT : 40mm.
 - 2.2 SURFACE FINISHES:
 - CLASS F3 - STEEL SHUTTER FINISH.
 - CLASS U3 - STEEL TROWEL FINISH.

No.	DATE	REVISION
V1	2005/09/01	ORIGINAL VERSION

SANRAL TYPICAL DRAWINGS

COPYRIGHT: THIS DRAWING IS PROTECTED IN TERMS OF THE COPYRIGHT ACT No. 98 OF 1978 AND MAY NOT BE REPRODUCED WITHOUT PERMISSION IN WRITING FROM SANRAL.

CONDITIONS FOR USE: CONSULTANTS APPOINTED BY SANRAL SHALL INCORPORATE THE TYPICAL DETAILS HEREON INTO THEIR SPECIFIC DESIGN FOR WHICH THEY WILL ASSUME FULL PROFESSIONAL RESPONSIBILITY. THIS TYPICAL DRAWING MAY NOT BE USED FOR TENDER PURPOSES.



HEAD OFFICE
Ditshaba Place
10224
Hatfield Pretoria
0083
PO Box 415
Pretoria 0001
South Africa
Tel: (0)12 428 6000

TYPICAL DRAWINGS - STRUCTURES

F - SHAPE TEMPORARY BARRIERS
800mm HIGH PORTABLE - PRECAST
CONCRETE DETAILS

SANRAL DOC. No. (PP/F)
164999-V1
SANRAL DOC. No. (DWG)
165000-V1
SANRAL DRAWING No.
TD-S-P-1001-V1

